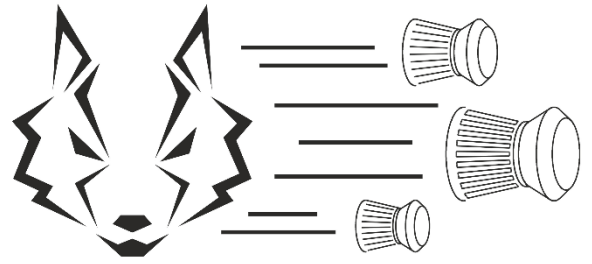


LOBO AirGuns



HOUND®

PCP air rifle

User and safety manual



INDEX

- 1. SAFETY WARNINGS**
- 2. WARRANTY**
- 3. SAFETY LOCK**
- 4. AMMUNITION LOAD**
- 5. ARMING THE AIR RIFLE**
- 6. REMOVE THE STOCK**
- 7. POWER ADJUSTMENT**
- 8. AIR LOAD**
- 9. BARREL REMOVE**
- 10. TRIGGER ADJUSTMENT**
- 11. MAGAZINE ADJUSTMENT**
- 12. SPECIFICATIONS**
- 13. DRAWINGS AND PARTS LISTING**

1. WARNINGS

1.1. LEGISLATION AND SAFETY

OWNERS ARE RESPONSIBLE TO FOLLOW AND RESPECT ALL LAWS RELATED TO THE OWNERSHIP AND UTILIZATION OF THIS WEAPON.

YOU SHOULD NOT SHOW OR EXHIBIT THIS AIR RIFLE IN PUBLIC PLACES, AS IT MAY BE MISTAKEN WITH A FIREGUN.

1.2. USE

ALWAYS HANDLE AIR RIFLE AS IT WERE LOADED AND NEVER LEAVE IT UNATTENDED

EVEN IF UNLOADED, NEVER AIM ANYONE OR LET ANYONE AIM NOBODY WITH IT.

NEVER USE OR HANDLE AN AIR RIFLE UNDER THE INFLUENCE OF ALCOHOL, DRUGS OR MEDICINES.

1.3. STORAGE

KEEP YOUR AIR RIFLE UNLOADED IN A SAFE PLACE OUT OF THE REACH OF CHILDREN.

KEEP AMMUNITION AND AIR RIFLE IN DIFFERENT PLACES, BETTER UNDER KEY

1.4. CARRYING

WHEN CARRYING A AIR RIFLE, CARRY UNLOADED AND SAFETY LOCKED.

IN CASE OF FALLING OR HARD KNOCK THE AIR RIFLE CAN BE FIRED ACCIDENTALLY, EVEN SAFETY LOCKED

1.5. BEFORE SHOOTING

ALWAYS WEAR PROTECTION EQUIPMENT FOR YOUR EYES AND EARS WHILE USING THIS AIR RIFLE.
EXTEND THIS RECOMMENDATION TO NEARBY PEOPLE.

IGNORING THESE INSTRUCTIONS MAY CAUSE SERIOUS INJURY

KEEP YOUR AIR RIFLE UNLOADED UNTIL YOU ARE READY TO SHOOT.

BEFORE SHOOTING, EVALUATE EVERY RISK THAT COULD CAUSE NOT TO TAKE SHOT

DO NOT SHOOT IF YOU ARE NOT COMPLETELY SURE OF WHAT IS BEHIND THE TARGET

ALWAYS KEEP A SAFETY DISTANCE BETWEEN YOU AND TARGET WHEN SHOOTING.

WE RECOMMEND YOU TO USE A TARGET HOLDER AND A PELLET CATCHER

SELECT TARGETS THAT DO NOT IMPLY OR INVOLVE ANY DANGER.

IT HAS TO BE CONSIDERED THAT SOME TARGETS CAN MAKE THE PELLET BOUNCE, LIKE WATER SURFACE.

1.6. HANDLING

THIS AIR RIFLE MUST ONLY BE CHARGED WITH COMPRESSED AIR. NO OTHER GASES (IE: OXYGEN COULD RESULT IN FIRE OR EXPLOSION) CAN BE USED

DO NOT ATTEMPT TO DISASSEMBLE OR HANDLE YOUR AIR RIFLE. THE INTERIOR MECHANISM ARE COMPOSED OF PARTS WHICH INCLUDING TENSIONED SPRINGS AND HIGH PRESSURE COMPRESSED AIR CYLINDERS THAT MAY CAUSE SERIOUS INJURY.

DO NOT MAKE MODIFICATIONS OF ANY KIND IN THIS AIR RIFLE IN ORDER TO ASSEMBLE A FIREGUN. ITS VERY DANGEROUS AND COULD BE CONSTITUTIVE OF CRIME.

THE OWNER/USER WILL BE LIABLE FOR ANY DAMAGES WHICH COULD ORIGINATE A WRONG USE OR HANDLING OF THIS AIR RIFLE. IN ANY CASE THIS SHALL BE LIABILITY OF THE MANUFACTURER/DISTRIBUTOR.

2. WARRANTY

THIS PRODUCT IS WARRANTED TO THE RETAIL CONSUMER FOR 2 YEARS FROM DATE OF RETAIL PURCHASE AGAINST DEFECTS IN MATERIAL AND WORKMANSHIP AND IS TRANSFERABLE. THE ORIGINAL SALES RECEIPT MUST BE KEPT AS RECORD OF DATE OF PURCHASE.

IS COVERED:

- REPLACEMENT PARTS AND LABOR.
- TRANSPORTATION CHARGES TO CONSUMER FOR REPAIRED PRODUCT.

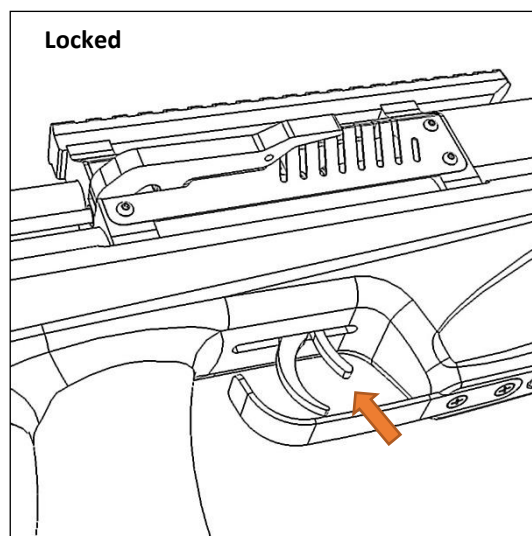
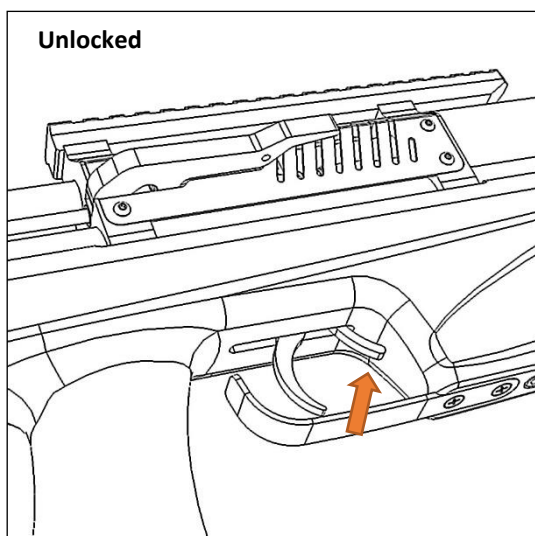
IS NOT COVERED:

- TRANSPORTATION CHARGES TO AUTHORIZED SERVICE STATION FOR DEFECTIVE PRODUCT.
- DAMAGES CAUSED BY ABUSE, MODIFICATION OR FAILURE TO PERFORM NORMAL MAINTENANCE.
- CONSEQUENTIAL DAMAGES, INCIDENTAL DAMAGES, OR INCIDENTAL EXPENSES INCLUDING DAMAGE TO PROPERTY. SOME LOCAL, STATE OR FEDERAL LAWS DO NOT ALLOW THE EXCLUSION OR LIMITATION OF INCIDENTAL OR CONSEQUENTIAL DAMAGES SO THE ABOVE LIMITATION OR EXCLUSION MAY NOT APPLY TO YOU.
- ANY OTHER EXPENSES

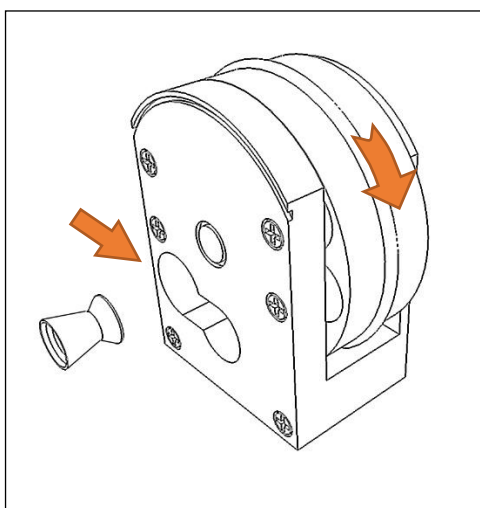
3. SAFETY LOCK

The Lobo Airguns® AZOR air rifle is equipped with a safety lock lever located next to the trigger.

With the lever in the backward position we will have the trigger locked. In order to fire, the lever must be moved forward.



4. MAGAZINE LOADING



The AZOR AIR RIFLE is designed to use multi-shot magazines. To load the pellets, first we have to extract the magazine drum from the carbine.

With an empty magazine, insert the first pellet as shown in the image and rotate the drum counterclockwise. Repeat those steps until the magazine is full.

Magazine capacity depends on the caliber:

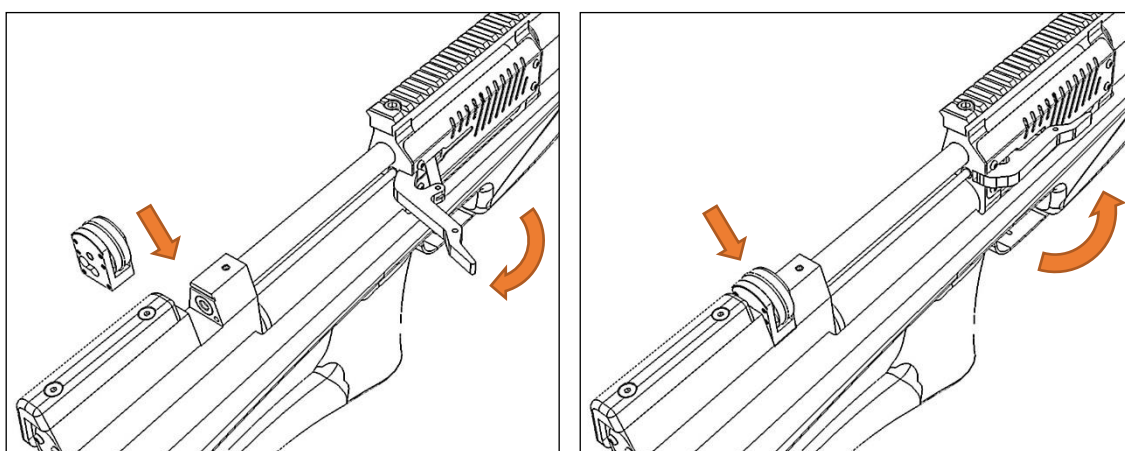
- 13 pellets - Cal. 0.17 / Ø4.5
- 11 pellets - Cal. 0.22 / Ø5.5
- 9 pellets - Cal. 0.25 / Ø6.35

5. LOADING

This operation must be done with the safety locked.

Once we have a fully loaded magazine, we will move the charging bolt backwards and turn it clockwise the end point. Then insert the magazine from the left side.

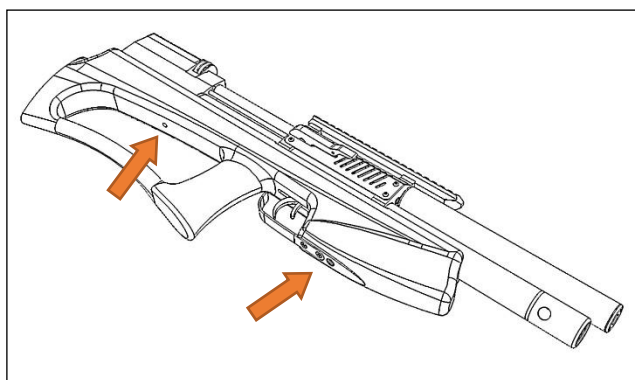
Next, we move the bolt forward and the first pellet will be ready to be fired.



6. REMOVE THE STOCK

To perform some maintenance or adjustment operations, it may be necessary to remove the wood stock. To do this, only 2 screws have to be removed.

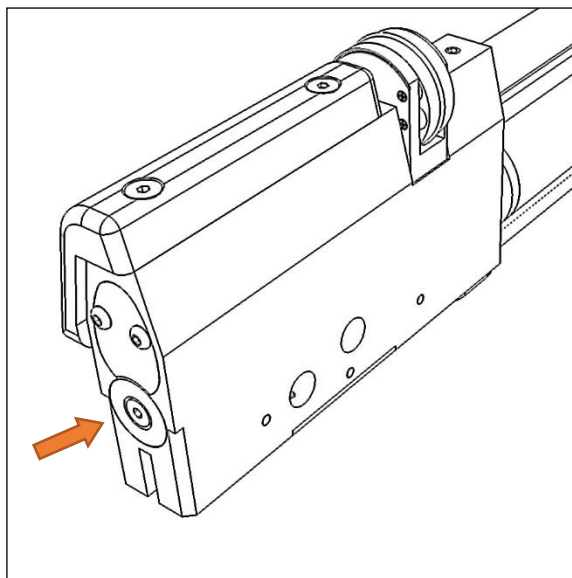
There is a first bolt which secures the stock to the main body. The second screw is located next to the trigger guard.



7. POWER ADJUSTMENT

The power adjustment of the AZOR Air rifle can be done by turning the screw as seen in the picture using a 2,5mm. Allen wrench.

By tightening this screw we get more load in the inner spring, increasing the firing force.

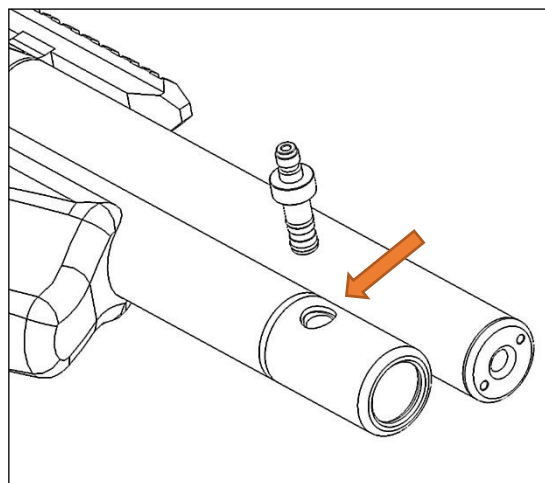


8. AIR FILLING

At the end of the air tank, there is a port to fill it with compressed air, just behind the pressure gauge.

The filling port is accessible by turning the pressure gauge protection cap.

LOBO Airguns® provides a quick fill nozzle for use with a filling hose.



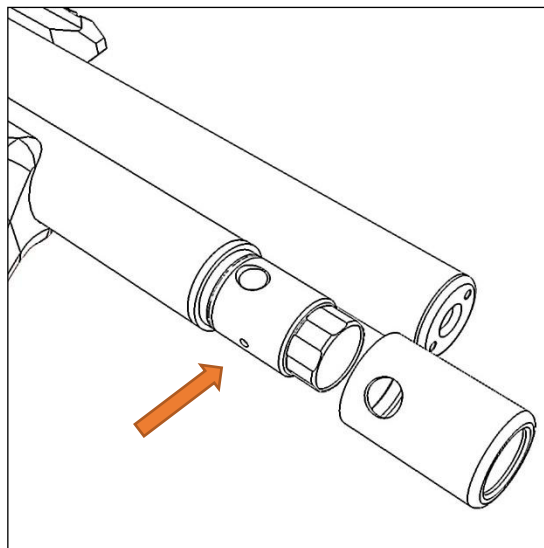
VERY IMPORTANT:

WHEN USING BOTTLES OR AIR COMPRESSORS FOR FILLING THE AIR TANK, THIS SHOULD BE DONE SLOWLY AND GRADUALLY TO AVOID AN ABRUPT TENSION BETWEEN INTERNAL COMPONENTS.

To perform any part replacement or maintenance operation the air tank must be completely drain.

We have installed a drain valve that we will open very slowly to let the air out of the interior of the tank.

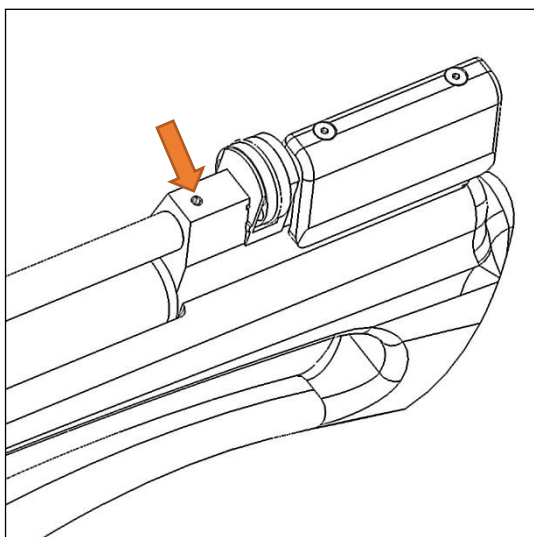
To get access to this screw, please remove the pressure gauge cap and use a 2mm Allen wrench.



IMPORTANT:

MAKE SURE THAT THE DEAIN VALVE IS FULLY CLOSED, OTHERWISE THE DEPOSIT CAN NOT BE FILLED

9. REMOVING THE BARREL



It may be necessary to remove the barrel to clean it or to replace a joint.

The screw at the top at the beginning of the barrel must be removed. Once removed, we can take off the barrel by pulling it out.

All barrels supplied by LOBO Airguns® are manufactured to the highest standards of quality and precision.

IMPORTANT

YOU CAN FIND A COMPLETE LIST OF SPARE PARTS AND INGS NEEDED AT THE END OF THIS DOCUMENT.

10. TRIGGER ADJUSTMENT

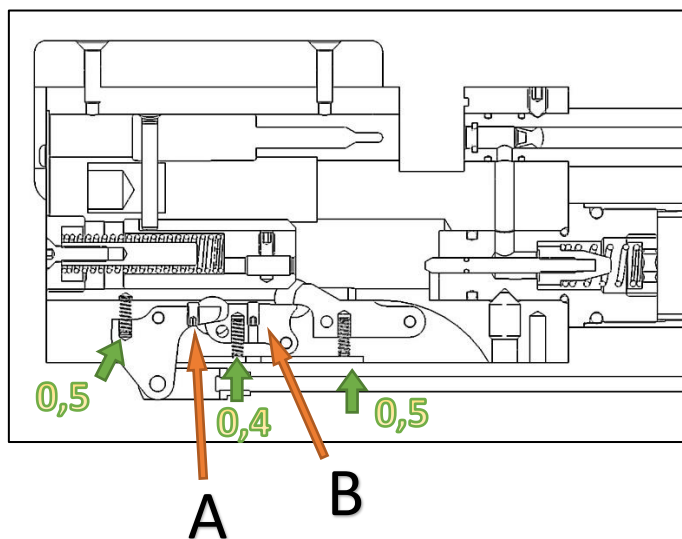
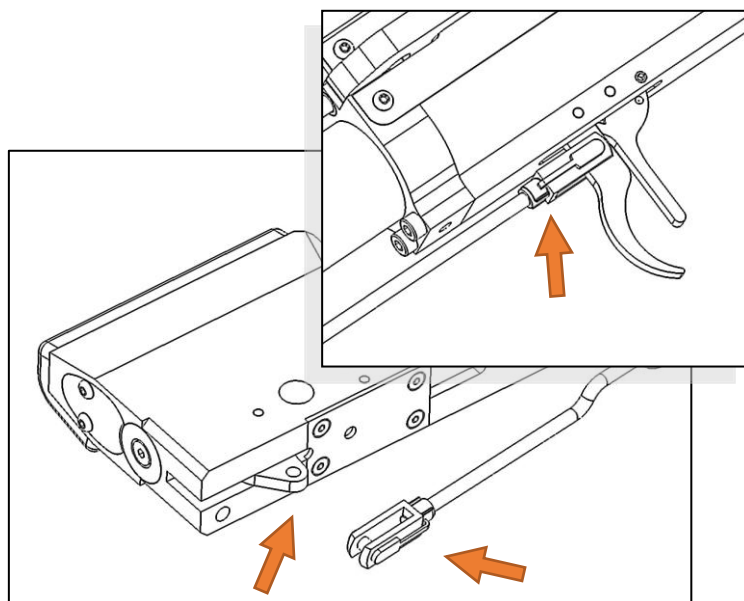
The two stage adjustment for the trigger is done by adjusting the **A** and **B** screws. We must remove the stock in order to do this operation.

Once removed the stock, the rod that connects the rear and the front triggers must be removed.

With the **A** screw we set the first stage and with the second screw **B** the trigger sensitivity. Only a 1,5mm Allen wrench is needed.

Once adjusted the hardness and the timing of the rear trigger, we reinstall the rod between both triggers.

The distance between both triggers will be defined by the final rod position.

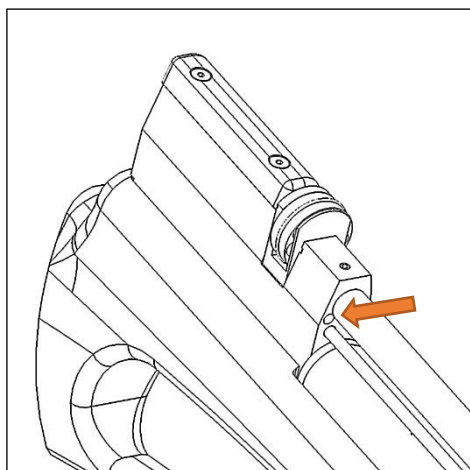


VERY IMPORTANT

WHEN MAINTENANCE, BE AWARE THAT THE TRIGGER MECHANISM SPRINGS ARE NOT THE SAME SIZE AND ARE NOT INTERCHANGEABLE WITH EACH OTHER.

ALL LOBO AIRGUNS AIR RIFLES ARE SOLD WITH FACTORY ADJUSTED. APPLYING WRONG SETTINGS MAY CAUSE AN INVOLUNTARY FIRING OF THE AIR RIFLE

11. MAGAZINE DRUM FITING SETTING



The drum magazine fits into the air rifle housing through a groove and is locked in position by a screw with built-in spring that holds the drum in position.

Therefore, this screw must be adjusted so the drum is securely tightened.

The screw head requires a flat-blade screwdriver. To apply this setting more comfortable we recommended to remove both the barrel and the tank

An incorrect adjustment can damage the magazine housing after a long use.

12. TECHNICAL DATA

MODEL	AZOR
CALIBER	.177 (Ø4,5) - .22 (Ø5,5) -.25 (Ø6,35)
BARREL LENGTH	422mm.
BARREL THREAD FOR ACCESSORIES	1/2 UNF
MAGAZINE DRUM	MULTI-SHOT 13 PELLETS (CAL Ø4.5), 11 PELLETS (CAL Ø5.5) AND 9 PELLETS (CAL Ø6.35)
MAX. SHOOTING POWER	ACCORDING TO CURRENT REGULATION BY COUNTRY
TANK CAPACITY	250 cc
MAX. PRESSURE LOAD	250 bar
PRESSURE REGULATOR	INCLUDED
TRIGGER	TWO STAGE
SAFETY LOCK	LEVER NEXT TO TRIGGER
STOCK	WOOD
DIMENSIONS	722 x 220 x 46* (59mm. with the load lever)
WEIGHT	3,2Kg.
SCOPE RAIL/MOUNT	Picatinny

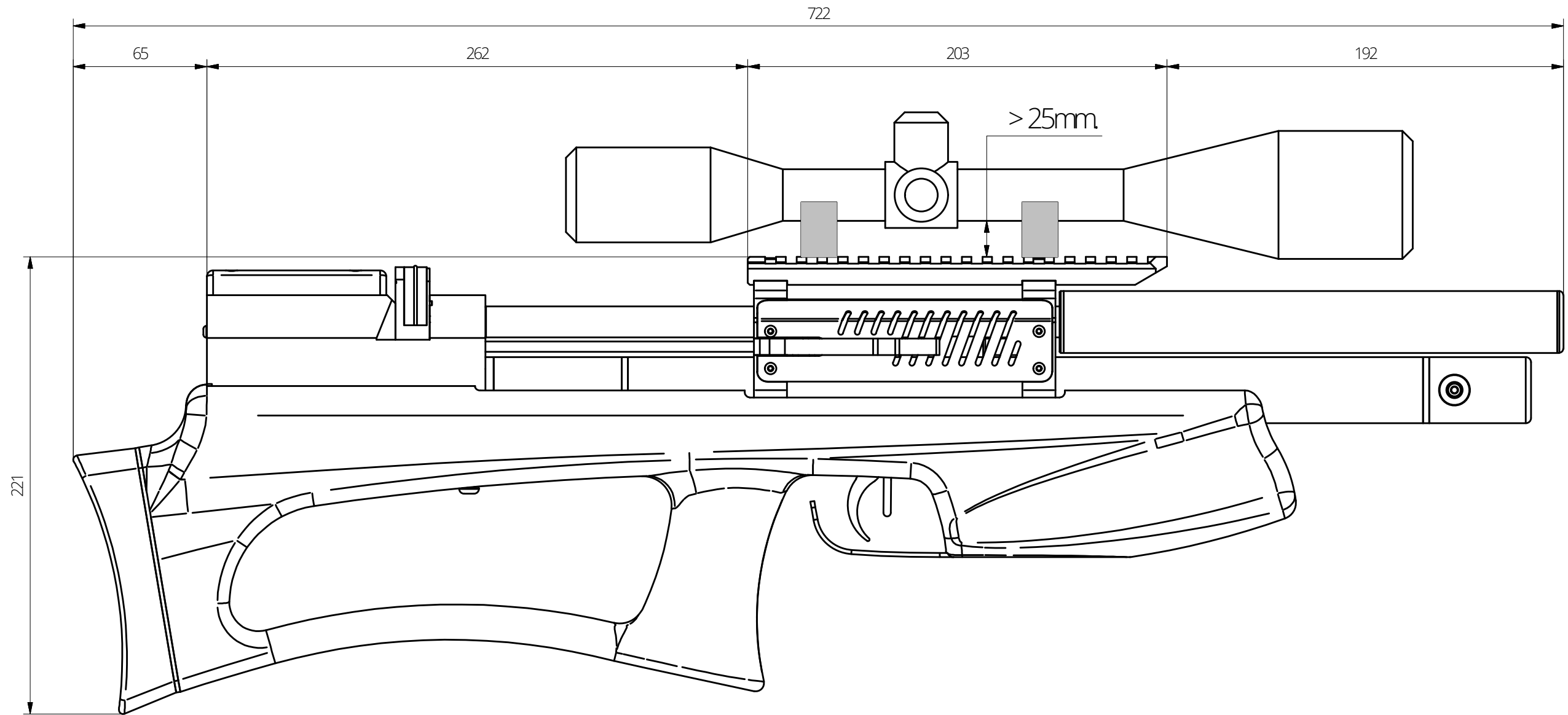
13. DRAWINGS AND PARTS LIST

12.1 DIMENSIONS

12.2 RIFLE ASSEMBLY AND PARTS LIST

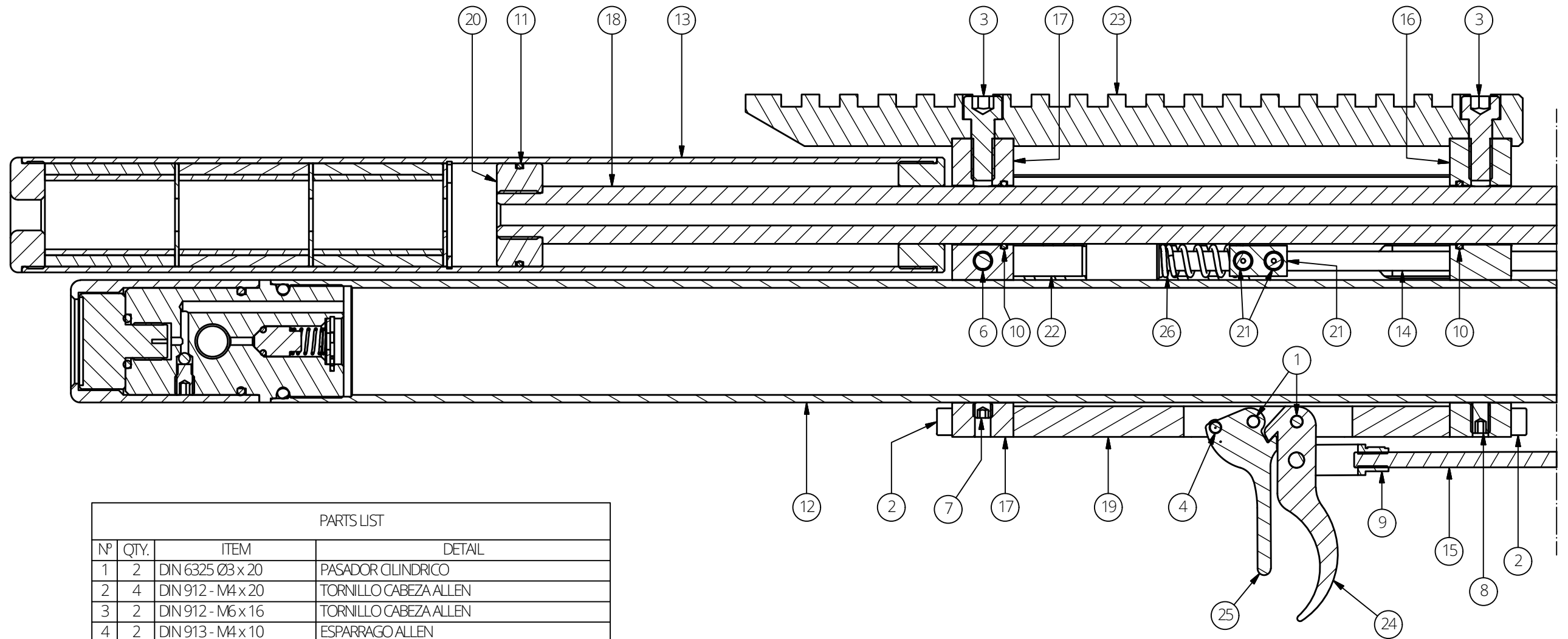
**THE CONTENT OF THIS MANUAL, ASSEMBLY PLANS,
EXPLODE AND ADJUSTMENT DRAWINGS ARE
AVAILABLE FOR DOWNLOADING IN OUR WEB**

<https://www.loboairguns.com>



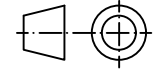
WE RECOMMEND TO INSTALL HIGH MOUNTS, AT LEAST 25mm. (1")
WHEN USING SCOPES

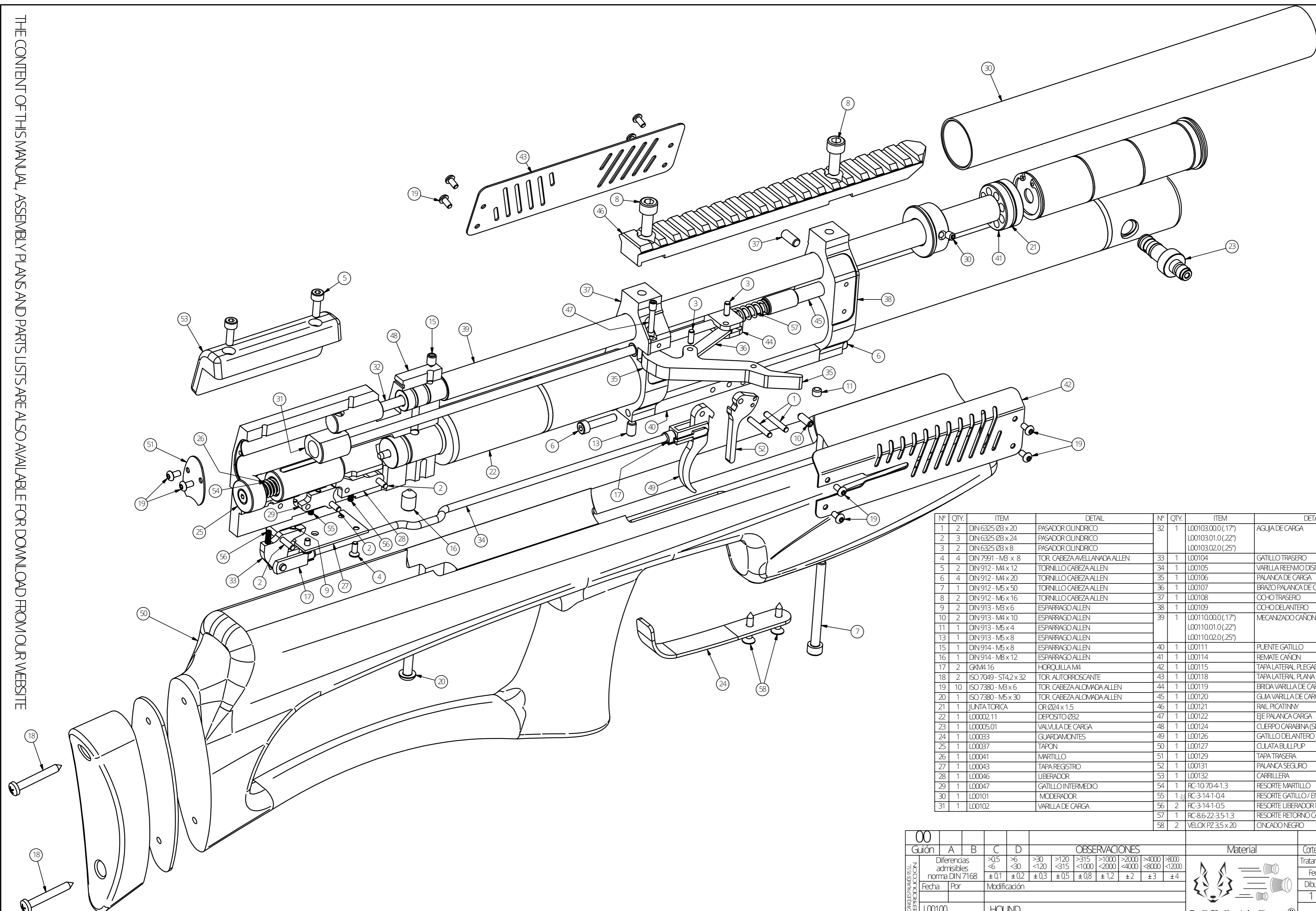
PROPIEDAD EXCLUSIVA DE MECÁNICOS PALAMOS 95 S.L. PROHIBIDA SU REPRODUCCIÓN	00													
	Guión	A	B	C	D	OBSERVACIONES						Material	Corte mm	Peso kg
				>0,5 <6	>6 <30	>30 <120	>120 <315	>315 <1000	>1000 <2000	>2000 <4000	>4000 <8000	>8000 <12000	Tratamiento	
	Diferencias admisibles norma DIN 7168			±0,1	±0,2	±0,3	±0,5	±0,8	±1,2	±2	±3	±4	Fecha	26/05/2015
	Fecha	Por	Modificación								Dibujado	Oficina técnica		
										1:1	A3			
										LOBO AirGuns® www.loboairguns.com info@loboairguns.com				
	L00100	HOUND												
HOUND - GENERAL DIMENSIONS											L00100			



PARTS LIST			
Nº	QTY.	ITEM	DETAIL
1	2	DIN 6325 Ø3 x 20	PASADOR CILINDRICO
2	4	DIN 912 - M4 x 20	TORNILLO CABEZA ALLEN
3	2	DIN 912 - M6 x 16	TORNILLO CABEZA ALLEN
4	2	DIN 913 - M4 x 10	ESPARRAGO ALLEN
5	1	DIN 913 - M4 x 5	ESPARRAGO ALLEN
6	2	DIN 913 - M5 x 12	ESPARRAGO ALLEN
7	1	DIN 913 - M5 x 4	Hexagon Socket Set Screw
8	1	DIN 913 - M5 x 8	ESPARRAGO ALLEN
9	2	GKM4_16	HORQUILLA M4
10	2	JUNTA TORICA	OR Ø15 x 1.5
11	1	JUNTA TORICA	OR Ø24 x 1.5
12	1	L00002.11	DEPOSITO Ø32
13	1	L00101	MODERADOR
14	1	L00102	VARILLA DE CARGA
15	1	L00105	VARILLA REENMO DISPARO
16	1	L00108	OCHO TRASERO
17	1	L00109	OCHO DELANTERO
18	1	L00110.00.0 (.17") L00110.01.0 (.22") L00110.02.0 (.25")	MECANIZADO CAÑON CAL. Ø4.5 - Ø5.5 - Ø6.35
19	1	L00111	PUENTE GATILLO
20	1	L00114	REMATE CAÑON
21	1	L00119	BRIDA VARILLA DE CARGA
22	1	L00120	GUIA VARILLA DE CARGA
23	1	L00121	RAIL PICATINNY
24	1	L00126	GATILLO DELANTERO
25	1	L00131	PALANCA SEGURO
26	1	RC-8.6-22-3.5-1.3	RESORTE RETORNO CARGA

00	Guión	A	B	C	D	OBSERVACIONES						Material	Corte mm	Peso kg	
PROPIEDAD EXCLUSIVA DE MECANICOS PALAMOS 95 S.L. PROHIBIDA SU REPRODUCCION	Diferencias admisibles norma DIN 7168	>0,5 <6	>6 <30	>30 <120	>120 <315	>315 <1000	>1000 <2000	>2000 <4000	>4000 <8000	>8000 <12000			Tratamiento		
	Fecha	Por	Modificación										Fecha	26/05/2015	
													Dibujado	Oficina técnica	
													1:1	A3	
	L00100	HOUND													
HOUND - RIFLE ASSEMBLY												LOBO AirGuns® www.loboairguns.com info@loboairguns.com			
												L00100 2/3			





Nº	QTY.	ITEM	DETAIL	Nº	QTY.	ITEM	DETAIL
1	2	DIN 6325 Ø3 x 20	PASADOR CILINDRICO	32	1	L00103.00.0 (1,7")	AGUJA DE CARGA
2	3	DIN 6325 Ø3 x 24	PASADOR CILINDRICO			L00103.01.0 (2,2")	
3	2	DIN 6325 Ø3 x 8	PASADOR CILINDRICO			L00103.02.0 (2,25")	
4	4	DIN 7991 - M3 x 8	TOR. CABEZA AVELLANADA ALLEN	33	1	L00104	GATILLO TRASERO
5	2	DIN 912 - M4 x 12	TORNILLO CABEZA ALLEN	34	1	L00105	VARILLA REENVIÓ DISPARO
6	4	DIN 912 - M4 x 20	TORNILLO CABEZA ALLEN	35	1	L00106	PALANCA DE CARGA
7	1	DIN 912 - M5 x 50	TORNILLO CABEZA ALLEN	36	1	L00107	BRAZO PALANCA DE CARGA
8	2	DIN 912 - M6 x 16	TORNILLO CABEZA ALLEN	37	1	L00108	OCHO TRASERO
9	2	DIN 913 - M3 x 6	ESPARRAGO ALLEN	38	1	L00109	OCHO DELANTERO
10	2	DIN 913 - M4 x 10	ESPARRAGO ALLEN	39	1	L00110.00.0 (1,7")	MECANIZADO CAÑÓN
11	1	DIN 913 - M5 x 4	ESPARRAGO ALLEN			L00110.01.0 (2,2")	
13	1	DIN 913 - M5 x 8	ESPARRAGO ALLEN			L00110.02.0 (2,25")	
15	1	DIN 914 - M5 x 8	ESPARRAGO ALLEN	40	1	L00111	PUENTE GATILLO
16	1	DIN 914 - M8 x 12	ESPARRAGO ALLEN	41	1	L00114	REMATE CAÑÓN
17	2	GM4 16	HORQUILLA M4	42	1	L00115	TAPA LATERAL PLEGADA
18	2	ISO 7049 - ST42 x 32	TOR. AUTORROSCANTE	43	1	L00118	TAPA LATERAL PLANA
19	10	ISO 7380 - M3 x 6	TOR. CABEZA AVELLANADA ALLEN	44	1	L00119	BRIDA VARILLA DE CARGA
20	1	ISO 7380 - M5 x 30	TOR. CABEZA AVELLANADA ALLEN	45	1	L00120	GUIA VARILLA DE CARGA
21	1	JUNTA TORICA	OR Ø24 x 1.5	46	1	L00121	RAIL PICATINNY
22	1	L00002.11	DEPOSITO Ø32	47	1	L00122	EJE PALANCA CARGA
23	1	L00005.01	VALVULA DE CARGA	48	1	L00124	CUERPO CARABINA (SECCION)
24	1	L00033	GUARDAMONTES	49	1	L00126	GATILLO DELANTERO
25	1	L00037	TAPON	50	1	L00127	CLATA BULLPUP
26	1	L00041	MARTILLO	51	1	L00129	TAPA TRASERA
27	1	L00043	TAPA REGISTRO	52	1	L00131	PALANCA SEGURO
28	1	L00046	LIBERADOR	53	1	L00132	CARRILLERA
29	1	L00047	GATILLO INTERMEDIO	54	1	RC-10-70-4-1.3	RESORTE MARTILLO
30	1	L00101	MODERADOR	55	1	RC-3-14-1-0.4	RESORTE GATILLO / ENLACE GATILLO
31	1	L00102	VARILLA DE CARGA	56	2	RC-3-14-1-0.5	RESORTE LIBERADOR MARTILLO
				57	1	RC-8.6-22-3.5-1.3	RESORTE RETORNO CARGA
				58	2	VELCOX PZ 3.5 x 20	CINCADO NEGRO

00	A	B	C	D	OBSERVACIONES						Material	Corte mm.	Peso kg.		
Guión					>0.5	>1.0	>1.5	>2.0	>2.5	>3.0	>4.0	>5.0			
					<0.5	<1.0	<1.5	<2.0	<2.5	<3.0	<4.0	<5.0			
					±0.1	±0.2	±0.3	±0.5	±0.8	±1.2	±2	±3	±4		
Fecha	Por	Modificación													
L00100	HOUND														
www.loboguns.com info@loboguns.com												26/05/2015	Oficínatécnica		
HOUND - RIFLE ASSEMBLY												L00100 3/3			

PROPIEDAD EXCLUSIVA DE MECANIZADOS S.L. PROHIBIDA SU REPRODUCCION